
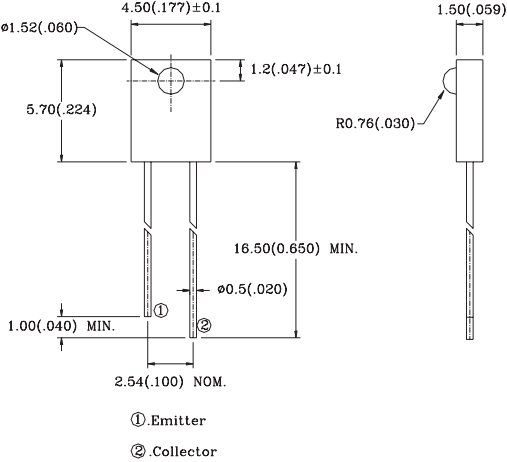





Phototransistors Side Look

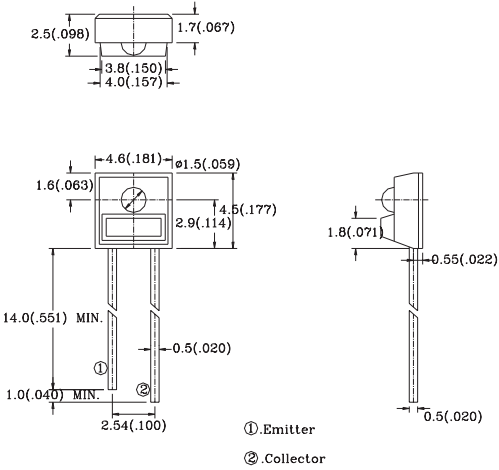
Part Number	Chip		Lens Color	Electrical & Optical Characteristics				Viewing Angle 2θ 1/2
	Material	Wave length λ p(nm)		Light Current $I_{c(on)}$ (mA) @ $V_{CE}=5V$ $E_e=0.5mW/cm^2$	Saturation Voltage $V_{CE(sat)}$ (V) @ $I_c=0.1mA$ $E_e=0.5mW/cm^2$	Breakdown Voltage $V_{BR(CEO)}$ (V) @ $I_c=0.1mA$ $E_e=0mW/cm^2$	Dark Current I_D (nA) @ $V_{CE}=10V$ $E_e=0mW/cm^2$	
				Typ.	Max.	Min.	Max.	





BPT-NP03C1	Si-Phototransistor (NPN)	940(400-1100)	Water Clear	0.50	0.50	30	100	-
BPT-NP13C1		940(400-1100)		0.45	0.50	30	100	
BPT-NP23C1		940(400-1100)		0.45	0.50	30	100	





BPT-NP03C2	Si-Phototransistor (NPN)	940(400-1100)	Water Clear	0.65	0.50	30	100	-
BPT-NP13C2		940(400-1100)		0.45	0.50	30	100	
BPT-NP23C2		940(400-1100)		0.65	0.50	30	100	